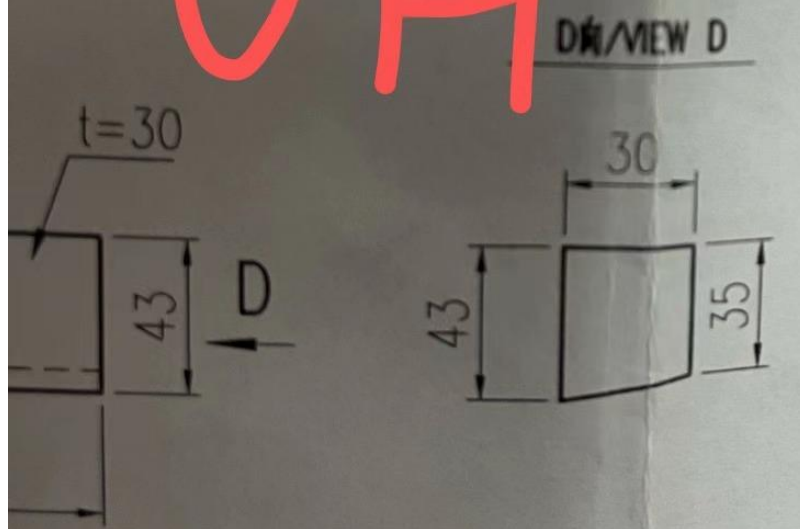


零件



6	按本图 According to this
5	按本图 According to this
4	按本图 According to this
3	按本图 According to this
2	按本图 According to this
1	按本图 According to this

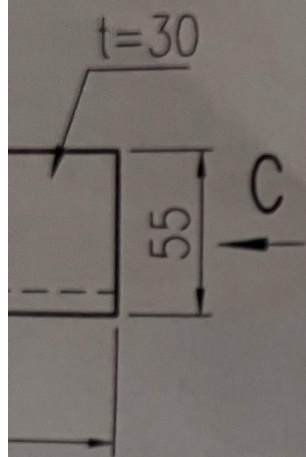
件号 PART NO.	图号或标 DRAWING NO.
----------------	---------------------

MARK 标记	TOTAL NO. 处数	FILE NO. 更改文
------------	-----------------	-----------------

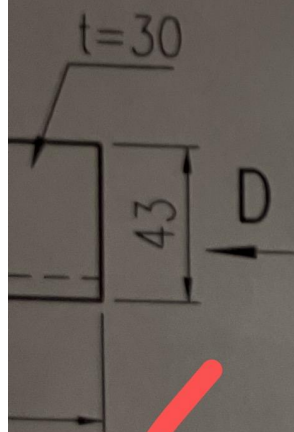
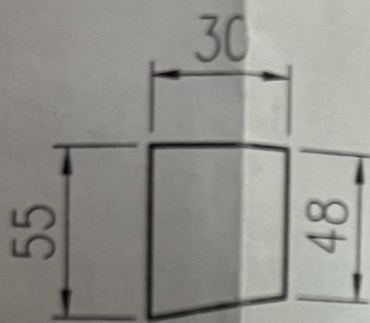
DESIGN 设计	许大宇	202
--------------	-----	-----

APPROVE 批准	赵晓娟	202
---------------	-----	-----

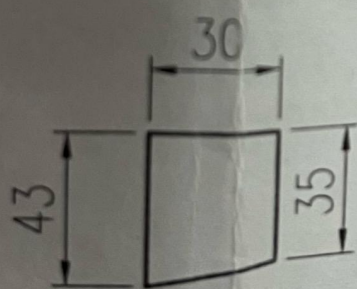
本图纸及相关文件版权属于江苏索普
THIS DRAWING AND RELEVANT DOCUMENTS
IN ANY FORM WITHOUT THE PRIOR WRITTEN



C向/VIEW C



D向/VIEW D



64

6	按本图 According to this
5	按本图 According to this
4	按本图 According to this
3	按本图 According to this
2	按本图 According to this
1	按本图 According to this

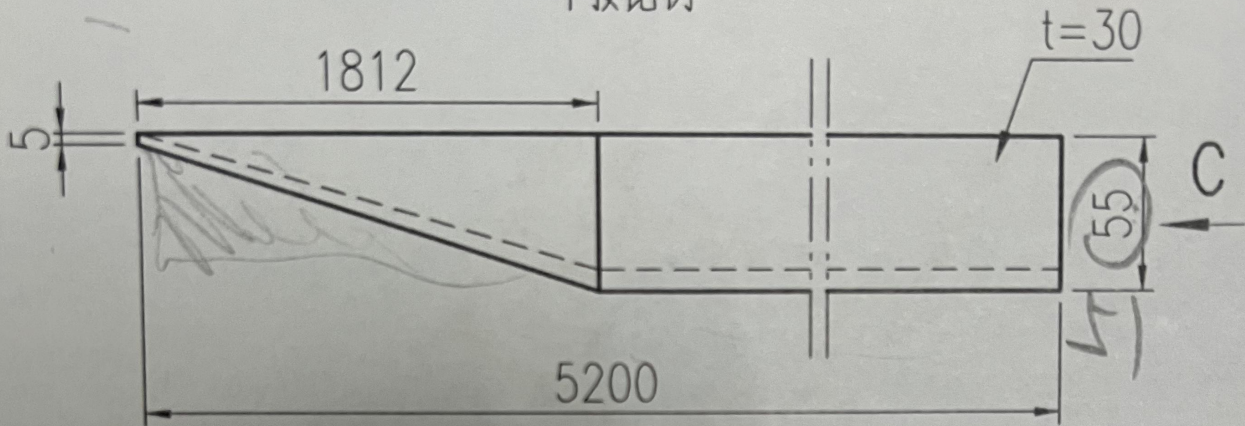
代号 PART NO.	图号或标 DRAWING NO.
----------------	---------------------

MARK 标记	TOTAL NO. 处数	FILE 更改文
DESIGN 设计	许大宇	2024
APPROVE 批准	赵晓娟	2024

本图纸及相关文件版权属于江苏索普
THIS DRAWING AND RELEVANT DOCUMENTS
IN ANY FORM WITHOUT THE PRIOR WRITTEN

件1详图
Detailed drawing of part 1

不按比例



件2详图
Detailed drawing of part 1

不按比例

